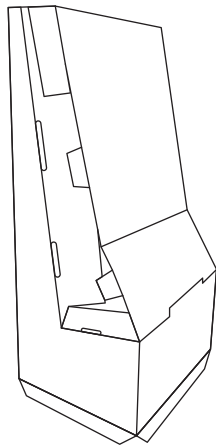




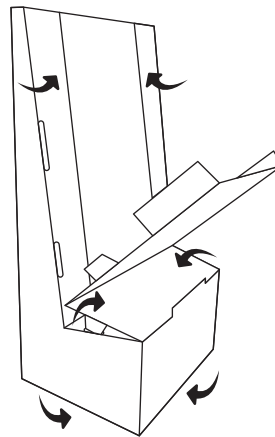
Scan for an assembly video.

1.



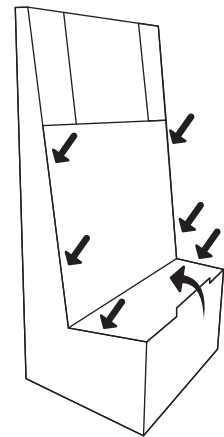
Unfold BASE and stand up.

2.



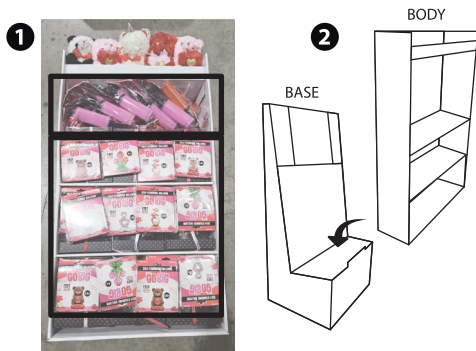
Fold panels at the bottom of BASE inward.
Fold 2 sets of panels on front of base inward in preparation for STEP 3.

3.



Insert tabs 2A, 2B, 2C into corresponding 2A, 2B, 2C slots on front of base.
(Refer to the diagrams on the base)

4.



Remove 2 clipstrip sets and the loose self-standing balloons from the BODY.
Place the BODY onto the BASE.

5.



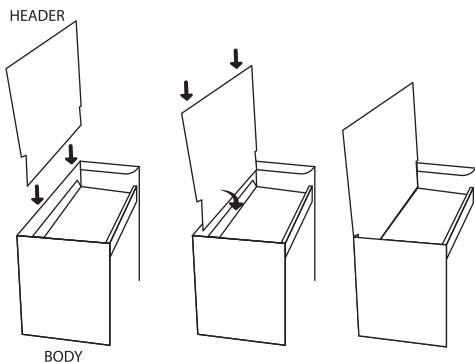
Hang the loose self-standing balloons on their designated hooks.

6.



Attach 1 set of clip strips to each side of the BODY.

7.



Position the HEADER on top of the display, behind the plush.

COMPLETED



Any questions or issues with this display, please call us at (888) 727-2476 or email us at support@in-motion-design.com.