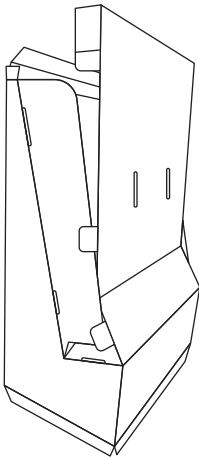




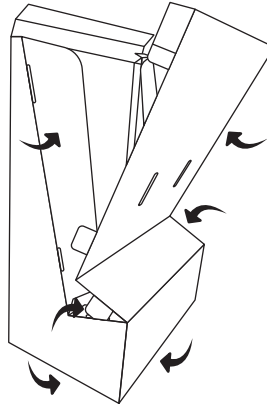
Scan for an assembly video.

1.



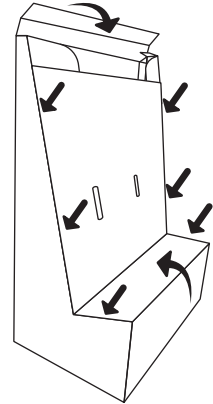
Unfold BASE and stand up.

2.



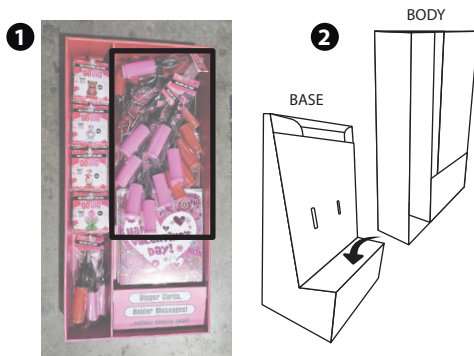
Fold panels at the bottom of BASE inward.
Fold 2 sets of panels on front of base inward in preparation for STEP 3.

3.



Insert the tabs into the corresponding slots on the front of the base. Then, fold the top flap inward and tuck it securely behind the front panels.
(Refer to the diagrams on the base)

4.



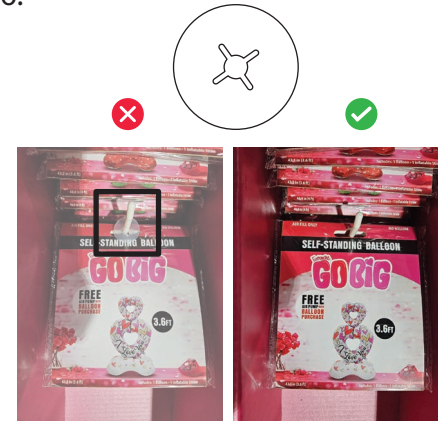
Remove 2 clipstrip sets from the display BODY.
Place the BODY onto the BASE.

5.



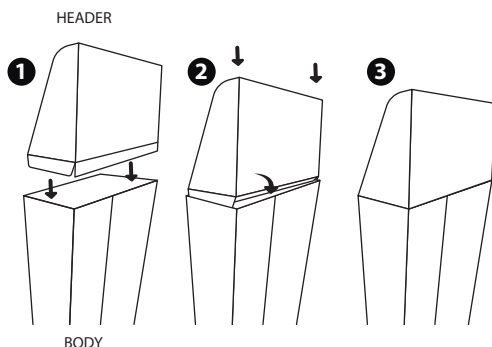
Attach 1 set of clip strips to each front side of the display BODY.

6.



Remove the 5 round plastic peg hook stoppers from the balloons and air pumps on the left side.

7.



Position the HEADER on top of the display, then fold the middle flap inward and inside between side panels.

COMPLETED



Any questions or issues with this display, please call us at (888) 727-2476 or email us at support@in-motion-design.com.